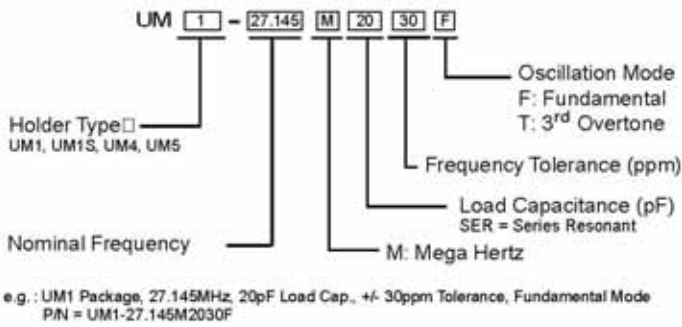




UM1 METAL PACKAGE CRYSTAL RESONATOR



PART NUMBERING SYSTEM



Application

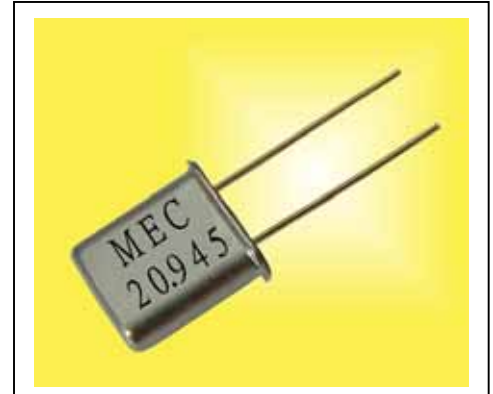
Mobile Radio Equipment, Remote Control Device
Cable Modem, Consumer Electronic products,
Wireless Security System, Cordless Phone.

Features

The UM1 is Metal Package with resistance
Weld Sealed, Lead-free compliance, high reliable,
tight tolerance and stability.

Generic Specification

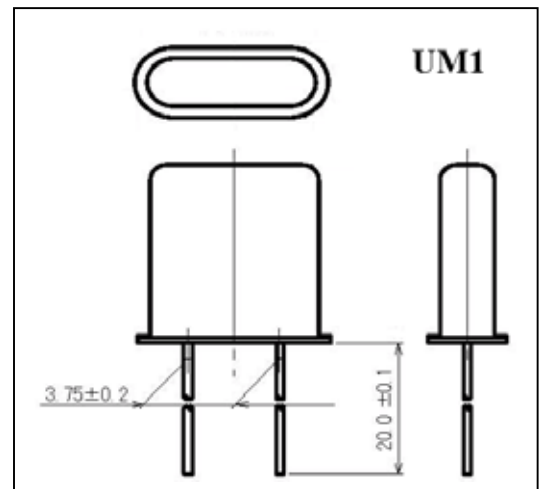
Nominal Frequency Range	3.500MHZ — 50.000MHZ	30.000MHZ — 100.000MHZ
Vibration Mode	Fundamental	Third Overtone
Temperature Stability at 25°C	+/-5.0PPM: +/-10PPM: +/-20PPM: +/-30PPM: +/-50PPM	
Frequency Tolerance at 25°C	+/-2.5PPM: +/-5.0PPM: +/-10PPM: +/-20PPM: +/- 30PPM:	
Load Capacitance	Series, 10pF, 12pF, 16pF, 18pF, 20pF, 30pF	
Operating Temperature Range	-10°C — +60°C ; -20°C — +70°C ; -40°C — +85°C	
Storage Temperature Range	-40°C — +85°C	
Drive Level	10uW (100uW max.)	
Aging Rate at 25°C	+/-1 PPM per year Max ; +/-3 PPM per year Max	



External Dimension (Unit: mm)

Frequency Range and ESR

Nominal Frequency Range	Equivalent Series Resistance	
	AT cut Fundamental	AT cut Third Overtone
3.500MHZ — 3.999MHZ	200 Ohm Max	
4.000MHZ — 4.999MHZ	150 Ohm Max	
5.000MHZ — 9.999MHZ	60 Ohm Max	
10.000MHZ — 14.999MHZ	50 Ohm Max	
15.000MHZ — 29.999MHZ	35 Ohm Max	
30.000MHZ — 50.000MHZ	25 Ohm Max	
30.000MHZ — 49.999MH		70 Ohm Max
50.000MHZ — 74.999MHZ		50 Ohm Max
75.000MHZ — 100.000MHZ		45 Ohm Max



Outline Diagram

