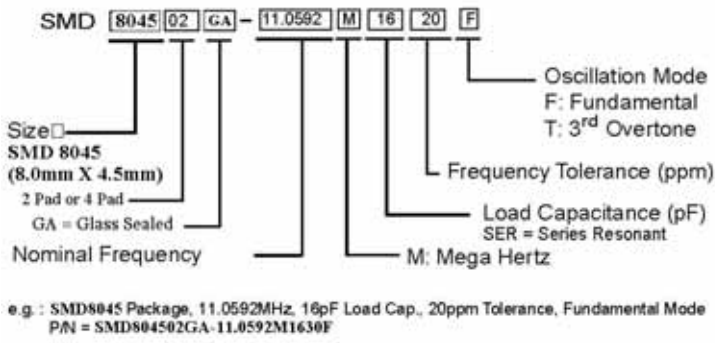




PART NUMBERING SYSTEM



Application

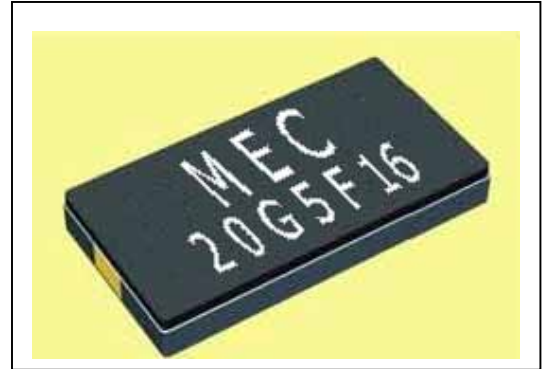
Bluetooth, Wireless LAN, Audio Equipment
PCMCIA card, Disc Drive, A/V card,
Notebook Computer, Hand-held Electronic Product.

Features

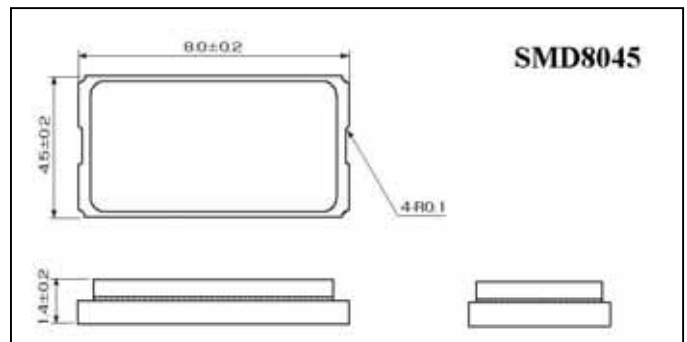
The SMD8045 is miniature and thin, ceramic SMD glass sealed package, tight tolerance, and stability reflow soldering to be possible.

Generic Specification

Nominal Frequency Range	6.000MHZ — 50.000MHZ	40.000 -- 105.000MHZ
Vibration Mode	Fundamental	Third Overtone
Temperature Stability at 25°C	+/-30PPM, +/-50PPM, +/-100PPM	
Frequency Tolerance at 25°C	+/-30PPM, +/- 50PPM	
Load Capacitance	Series, 10pF, 12pF, 16pF, 18pF, 20pF	
Operating Temperature Range	-10°C — +60°C, -20°C — +70°C, -30°C — +80°C	
Storage Temperature Range	-40°C — +85°C	
Drive Level	10uW (100uW max.)	
Aging Rate at 25°C	+/-5PPM per year Max	



External Dimension (Unit: mm)



Frequency Range and ESR

Nominal Frequency Range	AT cut Fundamental	AT cut Third Overtone
	Equivalent Series Resistance	
6.000 -- 9.999MHz	150 Ohm Max	
10.000 -- 15.999MHz	80 Ohm Max	
16.000 -- 50.000MHz	50 Ohm Max	
40.000 -- 105.000MHz		70 Ohm Max

Internal Connections and Soldering Land Pattern

