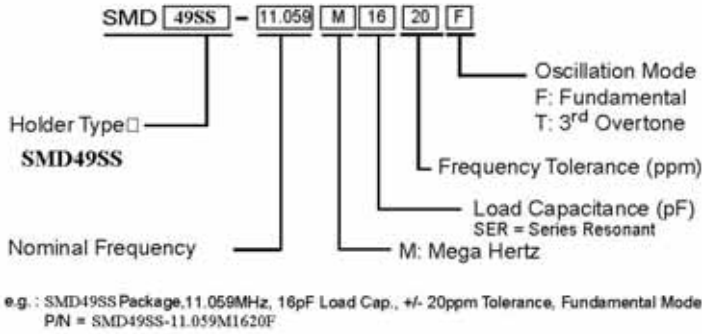




PART NUMBERING SYSTEM



Application

Microprocessor Clock, Network Card, A/V Card
 Cable Modem, Disc Drive, Hand-held products,
 Notebook Computer, Bluetooth, Mp3 Player.

Features

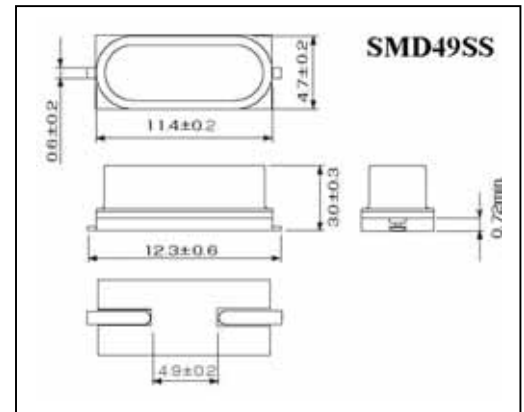
The SMD49SS is Metal Package with resistance
 Weld Sealed, Lead-free compliance, tight tolerance,
 and stability, reflow soldering to be possible.

Generic Specification

Nominal Frequency Range	10.000MHz — 50.000MHz	26.000MHz — 105.000MHz
Vibration Mode	Fundamental	Third Overtone
Temperature Stability at 25°C	+/-20PPM; +/-30PPM; +/-50PPM; +/-100PPM	
Frequency Tolerance at 25°C	+/-10PPM; +/-20PPM; +/-30PPM; +/-50PPM;	
Load Capacitance	Series, 10pF, 12pF, 16pF, 18pF, 20pF	
Operating Temperature Range	-10°C — +60°C ; -20°C — +70°C ; -40°C — +85°C	
Storage Temperature Range	-40°C — +85°C	
Drive Level	10uW (100uW max.)	
Aging Rate at 25°C	+/-5 PPM per year Max	



External Dimension (Unit: mm)



Frequency Range and ESR

Nominal Frequency Range	Equivalent Series Resistance	
	AT cut Fundamental	AT cut Third Overtone
10.000MHz — 11.999MHz	70 Ohm Max	
12.000MHz — 15.999MHz	60 Ohm Max	
16.000MHz — 19.999MHz	50 Ohm Max	
20.000MHz — 39.999MHz	40 Ohm Max	
40.000MHz — 50.000MHz	30 Ohm Max	
26.000MHz — 39.999MHz		100 Ohm Max
40.000MHz — 105.000MHz		80 Ohm Max

Soldering Land Pattern

