



# ZTA24.00MX

## SPECIFICATION OF CERAMIC RESONATOR

This specifications is subject to change without notice.  
Reprinting and copying of this specifications without prior written  
permission from MOBICON HOLDINGS LTD are not permitted.

**[www.mobicon.com](http://www.mobicon.com)**

7/F., New Trend Centre, 704 Prince Edward Road East, San Po Kong, Kowloon, Hong Kong.

**MEC**

1. SCOPE

This specification shall cover the characteristics of the ceramic resonator with the type ZTA24.0MX.

2. PART NO.:

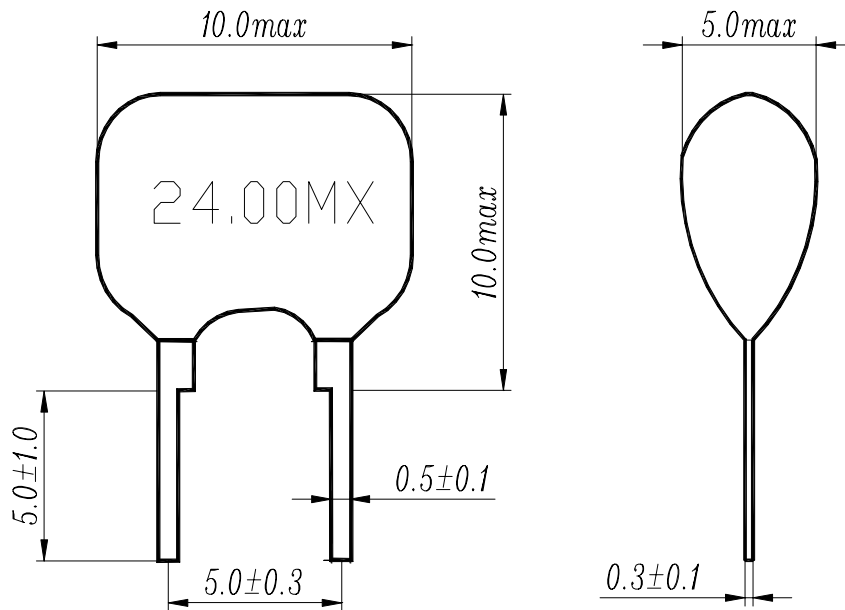
PART NUMBER	CUSTOMER PART NO	SPECIFICATION NO
ZTA24.0MX		

3. OUTLINE DRAWING AND DIMENSIONS:

Appearance: No visible damage and dirt.

Construction: Leads are soldered on electrode and body is molded by resin.

Dimensions:



UNIT : mm



#### 4. RATING AND ELECTRICAL SPECIFICATIONS:

##### 4.1 RATING

Items	Content
Withstanding Voltage (V)	50 (DC , 1min)
Insulation Resistance Ri, ( M ) min.	100 ( 100V , 1min )
Operating Temperature Range ( )	-20 ~ +80
Storage Temperature Range ( )	-40 ~ +85

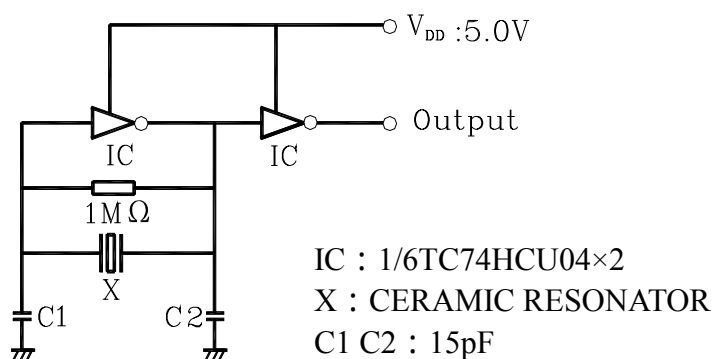
##### 4.2 ELECTRICAL SPECIFICATIONS

Items	Content
Oscillation Frequency Fosc ( MHz )	24.00
Frequency Accuracy ( % )	± 0.5
Resonant Impedance Ro ( Ω ) max	30
Temperature Coefficient of Oscillation Frequency ( % ) max	± 0.3 ( Oscillation Frequency drift , -25 ~ +85 )
Aging Rate ( % ) max	± 0.3 ( For Ten Years )
Rating Voltage UR ( V ) max	6VDC 15Vp-p

#### 5. MEASUREMENT:

Measurement Conditions: Parts shall be measured under a condition ( Temp. : 20±15 , Humidity : 65±20% R.H.) unless the standard condition(Temp. : 25±3 , Humidity : 65±5% R.H.) is regulated to measure.

Test Circuit:



## 6. PHYSICAL AND ENVIRONMENTAL CHARACTERISTICS

No.	Item	Condition of Test	Performance Requirements
6.1	Humidity	Subject the resonator at $+40 \pm 2$ and 90%~95% R.H. for 500h, resonator shall be measured after being placed in natural conditions for 1h.	It shall fulfill the specifications in Table 1.
6.2	High Temperature Exposure	Subject the resonator to $+85 \pm 5$ for 500h, resonator shall be measured after being placed in natural conditions for 1h.	It shall fulfill the specifications in Table 1.
6.3	Low Temperature Exposure	Subject the resonator to $-25 \pm 5$ for 500h, resonator shall be measured after being placed in natural conditions for 1h.	It shall fulfill the specifications in Table 1.
6.4	Temperature Cycling	Subject the resonator to $-25$ for 30 min. followed by a high temperature of $+85$ for 30 min. Cycling shall be repeated 5 times. Resonator shall be measured after being placed in natural conditions for 1hr.	It shall fulfill the specifications in Table 1.
6.5	Vibration	Subject the resonator to vibration for 2h each in x y and z axis with the amplitude of 1.5mm, the frequency shall be varied uniformly between the limits of 10Hz-55Hz and then resonator shall be measured.	It shall fulfill the specifications in Table 1.
6.6	Mechanical Shock	Resonator shall be measured after 3 times' random dropping from the height of 100cm on concrete floor.	No visible damage and it shall fulfill the specifications in Table 1.
6.7	Resistance to Soldering Heat	Lead terminals are immersed up to 2 mm from resonator's body in soldering bath of $260 \pm 5$ for $5s \pm 1s$ and then resonator shall be measured after being placed in natural conditions for 1h	It shall fulfill the specifications in Table 1.
6.8	Solderability	Lead terminals are immersed up to 2mm from resonator's body in soldering bath of $250 \pm 5$ for $2s \pm 0.5s$ .	More than 95% of the terminal surface of the resonator shall be covered with fresh solder.



## 6. PHYSICAL AND ENVIRONMENTAL CHARACTERISTICS

(Continued from the preceding page)

No	Item	Condition of Test	Performance Requirements
6.9	Terminal Strength		
6.9.1	Terminal Pulling	Force of 5N is applied to each lead in axial direction for $10s \pm 1s$ .	No visible damage and it shall fulfill the specifications in Table 1.
6.9.2	Terminal Bending	When force of 5N is applied to each lead in axial direction, the lead shall be folded up $90^\circ$ from the axial direction and folded back to the axial direction. The speed of folding shall be each 3s.	

Table 1

Item	Specification after test
Oscillation Frequency Change $f_{osc}/f_{osc} (\%) \max$	$\pm 0.3$
Resonant Impedance $R_o (\Omega) \max$	30
Note: The limits in the above table are referenced to the initial measurements.	



## 7 PACKAGE

7.1 To protect the products in storage and transportation ,it is necessary to pack them ( outer and inner package ) .On paper pack, the following requirements are requested.

### 7.2 Section of package

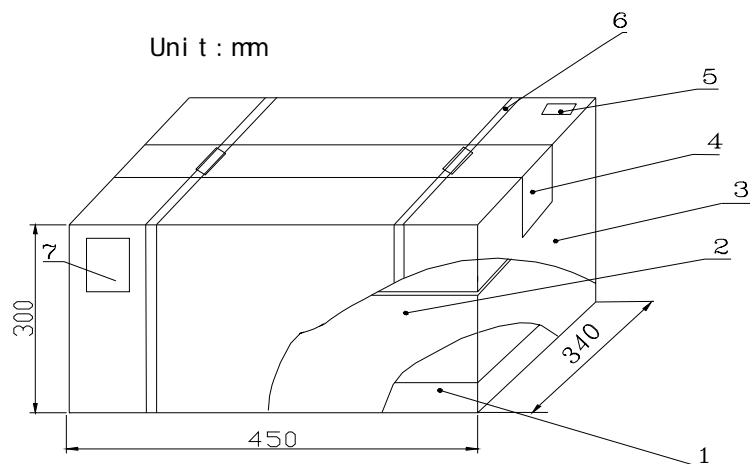
Package is made of corrugated paper with thickness of 0.8cm.Package has 2 inner packages, each has 20 inner boxes (each box for plastic bag).

### 7.3 Quantity of package

Per plastic bag	500 pieces
Per inner box	3 plastic bags
Per inner package	20 inner boxes
Per package	2 inner packages
( 60000 pieces of piezoelectric ceramic part )	

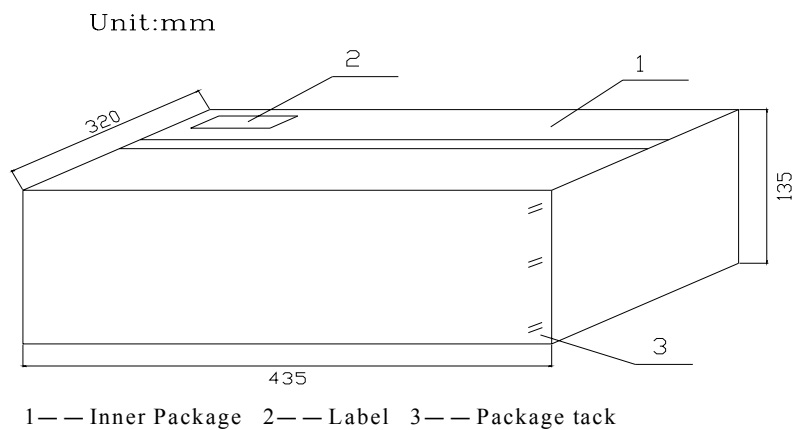
### 7.4 Dimensions and Mark

At the end of package, the warning (moisture proof, upward put) should be stick to it ( see below ) .

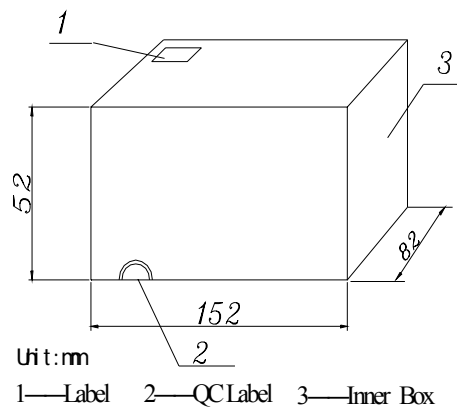


Code	Name	Quantity
1	Inner Box	40
2	Box	2
3	Package	1
4	Adhesive tape	1.2m
5	Label	1
6	Belt	2.9m
7	Certificate of approval	1

### 7.5 Inner package



### 7.6 Inner box Dimensions



## 8 OTHER

### 8.1 Caution of use

8.1.1 Do not use this product with bend. Please don't apply excess mechanical stress to the component and terminals at soldering.

8.1.2 The component may be damaged when an excess stress will be applied.

8.1.3 This specification mentions the quality of the component as a single unit. Please insure the component is thoroughly evaluated in your application circuit.

### 8.2 Notice

8.2.1 Please return one of this specification after your signature of acceptance.

8.2.2 When something gets doubtful with this specifications, we shall jointly work to get an agreement.



**MEC**