



SPECIFICATION

OF PRODUCTS

CUSTOMER : _____

PRODUCT NAME : CERAMIC RESONATOR

PART NUMBER : ZTACV8.00MT55HC0F-R0

PREVIOUS PART NUMBER : ZTACV8.00MT

Approved by	Checked by	Drawn by

This specifications is subject to change without notice.
Reprinting and copying of this specifications without prior written
permission from MOBICON HOLDINGS LTD are not permitted.

www.mobicon.com

7/F., New Trend Centre, 704 Prince Edward Road East, San Po Kong, Kowloon, Hong Kong.

MEC

QJ-11224F-2007

Part Number Sheet	
Customer	
Supplier P/N	ZTACV8.00MT55HC0F-R0
Customer P/N	

Customer's Approval Certificate	
Checked & Approval by	
Date	

Mark Of Modification	Reason Of Modification	Modification	Drawn	Checked	Approval	Date

Please return this copy after signing as a certification of your approval.



QJ-11224F-2007

1 . SCOPE

This specification shall cover the characteristics of the ceramic resonator with the type ZTACV8.00MT55HC0F-R0.

2 . PART NO.

PART NUMBER	PREVIOUS PART NUMBER
ZTACV8.00MT55HC0F-R0	ZTACV8.00MT
CUSTOMER PART NO	SPECIFICATION NO

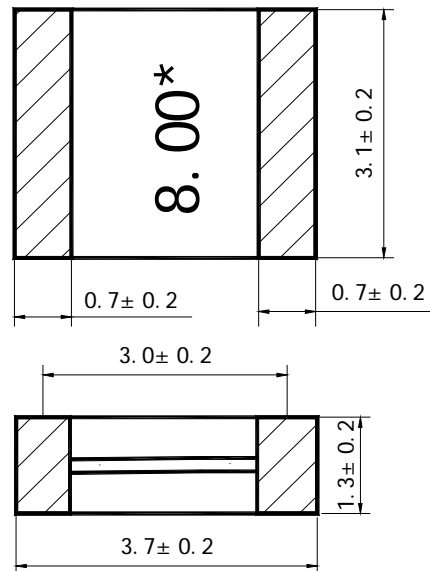
3 . OUTLINE DIMENSIONS AND MARK

3.1 Appearance: No visible damage and dirt.

3.2 Construction: SMD ceramic packaging.

3.3 The products conform to the RoHS directive and national environment protection law.

3.4 Dimensions and mark



INPUT OUTPUT
*: EIAJ MONTHLY CODE



4 . ELECTRICAL SPECIFICATIONS

4.1 RATING

Items	Requirement
Withstanding Voltage (V)	50 (DC , 1min)
Insulation Resistance Ri, (M) min.	100 (10V , 1min)
Operating temperature	-25 ~ 85
Storage temperature	-55 ~ 85
Rating Voltage UR (V)	6V DC
	15V p-p

4.2 ELECTRICAL SPECIFICATIONS

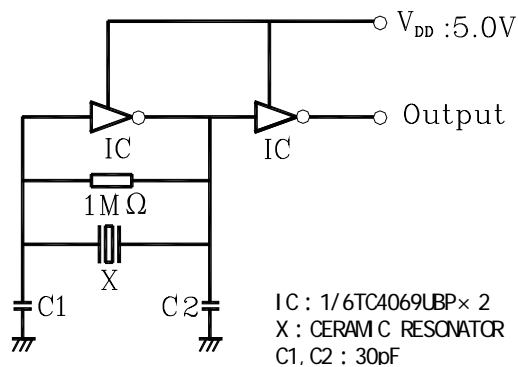
Items	Requirement
Oscillation Frequency Fosc (MHz)	8.000
Frequency Accuracy (%)	± 0.5
Resonant Impedance Ro (Ω) max.	30
Temperature Coefficient of Oscillation Frequency (%) max.	± 0.3 (Oscillation Frequency drift , -25 ~ +85)
Aging Rate (%) max.	± 0.3 (For Ten Years)

5 . TEST

5.1 Test Conditions

Parts shall be tested under the condition (Temp. : 20±15 , Humidity : 65±20% R.H.) unless the standard condition(Temp. : 25±2 , Humidity : 65±5% R.H.) is regulated to measure.

5.2 Test Circuit



6 PHYSICAL AND ENVIRONMENTAL CHARACTERISTICS

No	Item	Condition of Test	Performance Requirements	
6.1	Humidity	Keep the resonator at 40 ±2 and 90%-95% RH for 96h. Then Release the resonator into the room Condition for 1h prior to the Measurement.	It shall fulfill the specifications in Table 1.	
6.2	High Temperature Exposure	Subject the resonator to 85 ±2 for 96h, then release the resonator into the room conditions for 1h prior to the measurement.	It shall fulfill the specifications in Table 1.	
6.3	Low Temperature Exposure	Subject the resonator to -25 ±2 for 96h, then release the resonator into the room conditions for 1h prior to the measurement.	It shall fulfill the specifications in Table 1.	
6.4	Temperature Cycling	After temperature cycling of blow table was performed 5 times, resonator shall be measured after being placed in natural conditions for 1h.	It shall fulfill the specifications in Table 1.	
		Temperature		Time
		-25 ± 3		30 ± 3 min
		85 ± 3	30 ± 3 min	
6.5	Vibration	Subject the resonator to vibration for 2h each in x、 y and z axis With the amplitude of 1.5mm, the frequency shall be varied uniformly between the limits of 10 Hz—55Hz.	It shall fulfill the specifications in Table 1.	
6.6	Mechanical Shock	Drop the resonator randomly onto a wooden floor from the height of 100cm 3 times.	It shall fulfill the specifications in Table 1.	
6.7	Soldering Test	Passed through the re-flow oven under the following condition and left at room temperature for 1h before measurement.	It shall fulfill the specifications in Table 1.	

(To be continued)



6 PHYSICAL AND ENVIRONMENTAL CHARACTERISTICS

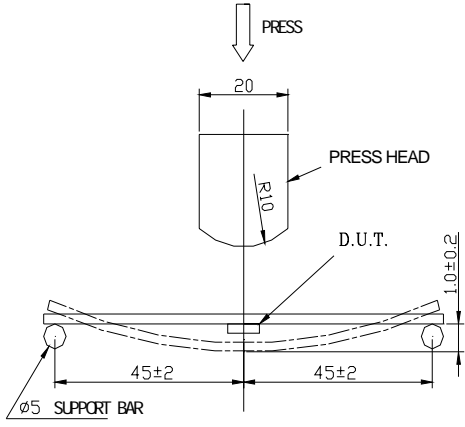
No	Item	Condition of Test	Performance Requirements
6.8	Solder Ability	Dipped in 245 ±5 solder bath for 3s±0.5 s with rosin flux (25wt% ethanol solution.)	The terminals shall be at least 95% covered by solder.
6.9	Board Bending	<p>Mount a glass-epoxy board (Width=40mm,thickness=1.6mm),then bend it to 1mm displacement and keep it for 5s. (See the following figure)</p> 	Mechanical damage such as breaks shall not occur.

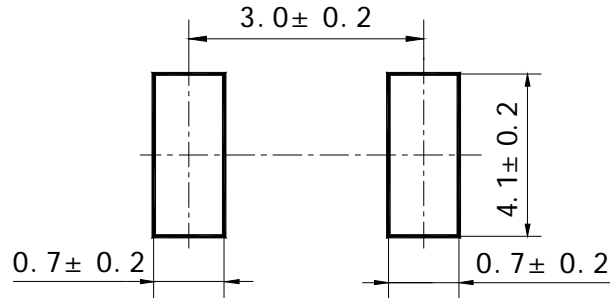
Table 1

Item	Specification after test
Oscillation Frequency Change fosc/fosc (%) max.	± 0.3
Resonant Impedance Ro (Ω) max.	35
The limits in the above table are referenced to the initial measurements.	

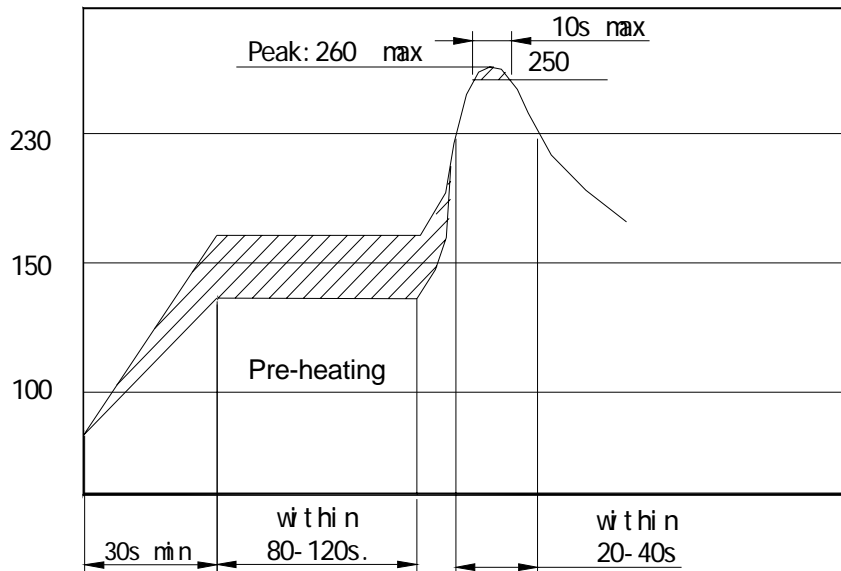


7 RECOMMENDED LAND PATTERN AND REFLOW SOLDERING STANDARD CONDITIONS

7.1 Recommended land pattern



7.2 Recommended reflow soldering standard conditions

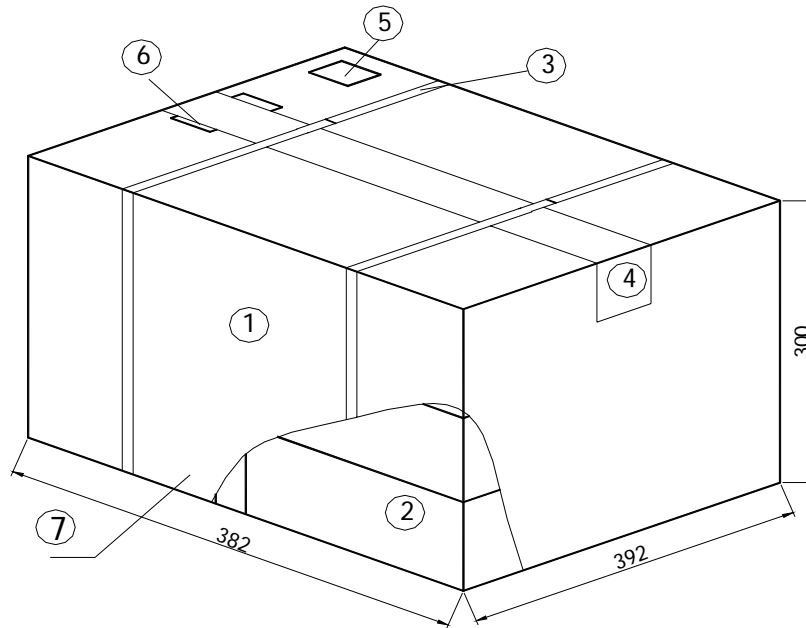


8 . PACKAGE

To protect the products in storage and transportation , it is necessary to pack them (outer and inner package) .

8.1 On paper pack, the following requirements are requested.

8.1.1 Dimensions and Mark



NO.	Name	Quantity
	Package	1
	Inner Box	12
	Belt	2.9 m
	Adhesive tape	1.2 m
	Label	1
	Certificate of approval	1
	Company name ,Address etc.	



QJ-11224F-2007

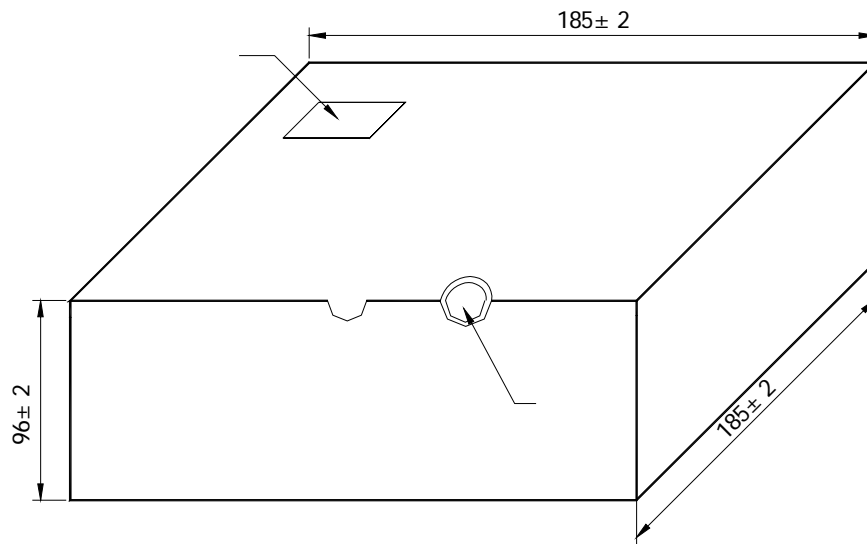
8.1.2 Section of package

Package is made of corrugated paper with thickness of 0.8cm. Package has 10 inner boxes, each box has 1 reel (each reel for plastic bag)

8.1.3 Quantity of package

Per plastic reel 1000 pieces of piezoelectric ceramic part
Per inner box 5 reels
Per package 12 inner boxes
(60000 pieces of piezoelectric ceramic part)

8.1.4 Inner Box Dimensions

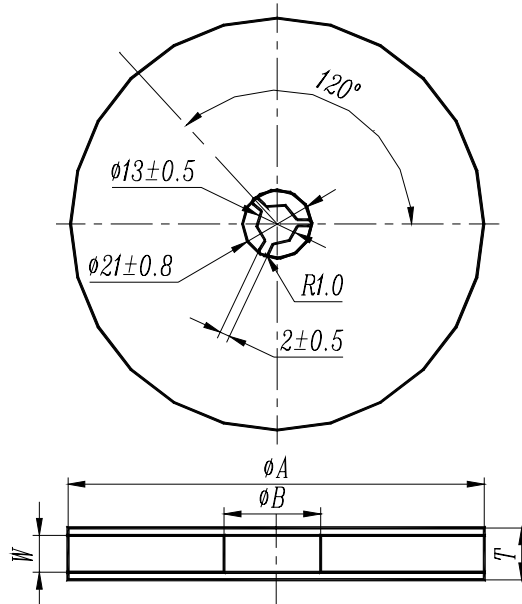


NO.	Name	Quantity
	Inner Box	1
	QC Label	1
	Label	1



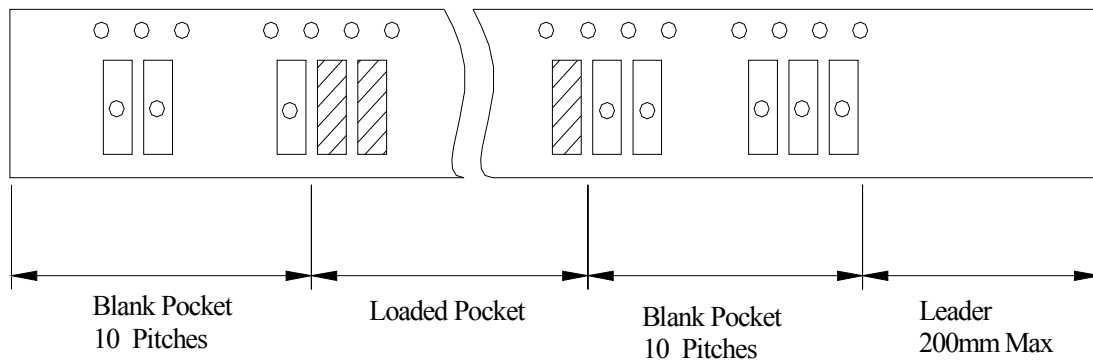
8.2 On reel pack, the following requirements are requested.

8.2.1 Reel Dimensions



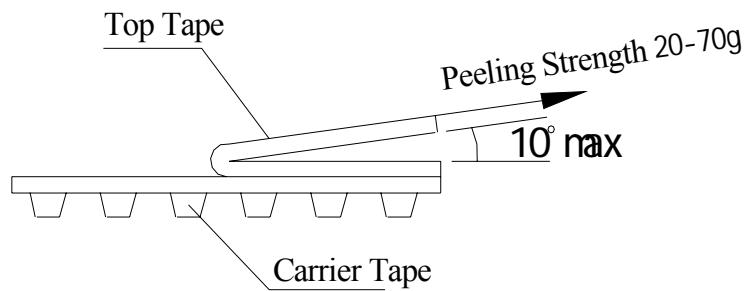
A	B	W	T	Pieces per reel	Carrier tape size
180 ± 3	60min	12.4min	19.4max	1000typ.	12

8.2.3 Packing Method Sketch Map



8.2.4 Test Condition Of Peeling Strength





9 . EIAJ Monthly Code

2005 / 2007 / 2009		2006 / 2008 / 2010	
MONTH	CODE	MONTH	CODE
JAN	A	JAN	N
FEB	B	FEB	P
MAR	C	MAR	Q
APR	D	APR	R
MAY	E	MAY	S
JUN	F	JUN	T
JUL	G	JUL	U
AUG	H	AUG	V
SEP	J	SEP	W
OCT	K	OCT	X
NOV	L	NOV	Y
DEC	M	DEC	Z



10 . OTHER

10.1 Caution

10.1.1 Don't apply excess mechanical stress to the component and terminals at soldering. Do not use this product with bend.

10.1.2 Do not clean or wash the component for it is not hermetically sealed.

10.1.3 Do not use strong acidity flux , more than 0.2wt% chlorine content , in flow soldering.

10.1.4 Don't be close to fire.

10.1.5 This specification mentions the quality of the component as a single unit. Please insure the component is thoroughly evaluated in your application circuit

10.1.6 Expire date (Shelf life) of the products is six months after delivery under the conditions of a sealed and an unopened package. Please use the products within six months after delivery. If you store the products for a long time (more than six months), use carefully because the products may be degraded in the solderability or rusty. Please confirm solderability and characteristics for the products regularly.

10.1.7 Please contact us before using the product as automobile electronic component.

10.2 Notice

10.2.1 Please return one of this specification after your signature of acceptance.

10.2.2 When something gets doubtful with this specifications, we shall jointly work to get an agreement.

