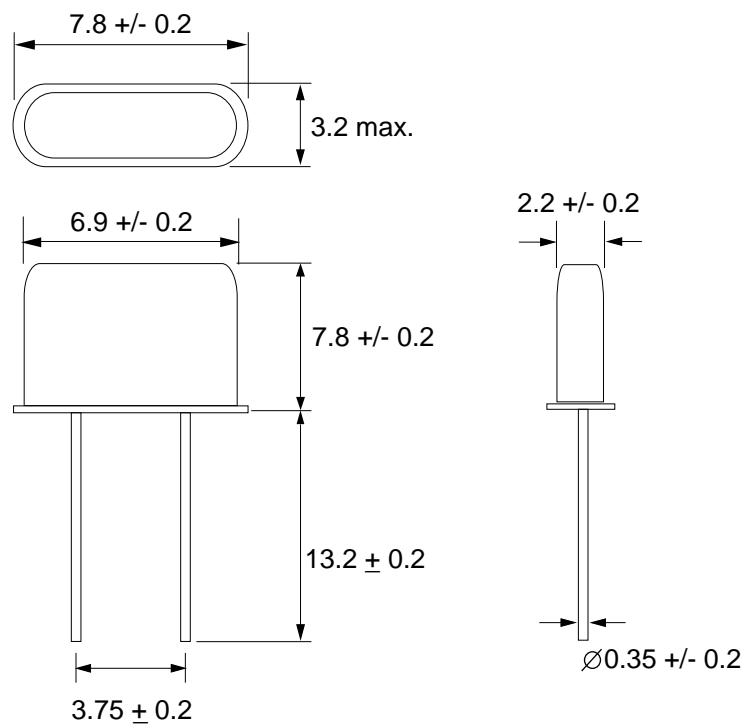


MEC

SPECIFICATION OF CRYSTAL UNIT

1. Nominal Frequency	20.95 MHz
2. Holder Type	UM-1
3. Frequency Tolerance	± 10 ppm at 25°C
4. Equivalent Resistance	30 Ohm max.
5. Insulation Resistance	500M Ohm @100V _{DC}
6. Operating Temperature Range	-10 ~ +60°C
7. Storage Temperature Range	-40 ~ +80°C
8. Temperature Tolerance	± 10 ppm at -20 ~ +80°C
9. Loading Capacitance	20pF
10. Drive Level	10 uW
11. Aging	± 3 ppm/ year
12. Oscillation Mode	Fundamental

DIMENSIONS (mm)



Prepared by: Leo Wong

DOC. No: UM1-20_95M20pF10ppmF