

# **MOBICON**

## **Electronic Components**

### **PRODUCT SPECIFICATION**

### **MEC QUARTZ CRYSTAL**

### **FREQUENCY COMPONENTS**

**HC49S Series QUARTZ CRYSTAL SPECIFICATION**

<b>MOBICON HOLDINGS LTD.</b>		
<b>Prepared By</b>	<b>Sign.</b>	<b>Approved By</b>
Kiko Chan		C.H. Wong

**[www.mobicon.com](http://www.mobicon.com)**

# MEC

## SPECIFICATION OF CRYSTAL UNIT

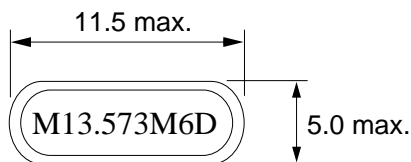
**PART NO. :**

**HC49SS-13.573125M2010F**

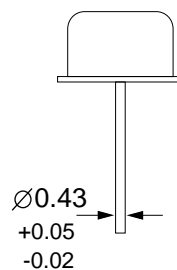
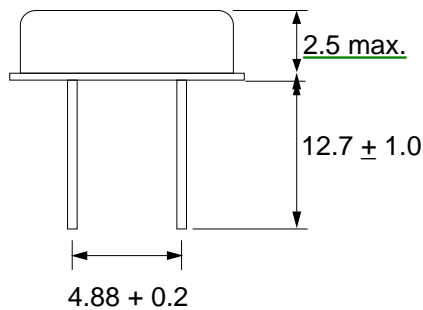
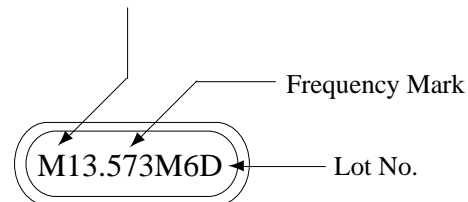
### ELECTRICAL CHARACTERISTICS

1. Nominal Frequency	13.573125 MHz
2. Holder Type	HC-49SS
3. Frequency Tolerance	$\pm 10$ ppm at 25 °C
4. Equivalent Resistance	40 Ohm max.
5. Temperature Tolerance	+/- 20ppm at -20 ~ +70°C
6. Aging	$\pm 5$ ppm/ year at 25°C
7. Loading Capacitance	20 pF
8. Drive Level	100uW
9. Mode of Oscillation	Fundamental
10. Insulation Resistance	500M ohm at DC160V
11. Shunt Cap (C0)	2.7pF $\pm$ 0.3pF
12. Motional Cap (C1)	10.5fF $\pm$ 0.5fF

### DIMENSIONS (mm)



### Manufacturer's Code



# MIEC

## SPECIFICATION OF CRYSTAL UNIT

No.	Item	Condition of Test
1	Shock Test	Dropping from 75cm height, 3 times on firm wood Variation: Frequency drift < + 20ppm Resistance drift <+ 10 Ohm
2	Vibration Test	30 minutes in each direction 10 to 55 Hz, amplitude 0.7 ~ 0.9mm Variation: Frequency drift < $\pm$ 20ppm
3	Solderability	The dipping surface of the lead shall be at least 95% Covered with a Continuous new solder coating. Condition of test: Temperature of solder bath: 230°C $\pm$ 5°C Dipping time: 5 sec.
4	Leakage	No bubbles coming up from interior of the holder. Insulation resistance: More than 500M Ohm Condition of test: Temperature of hot water: 90°C ~ 95°C Test time: 3 min.