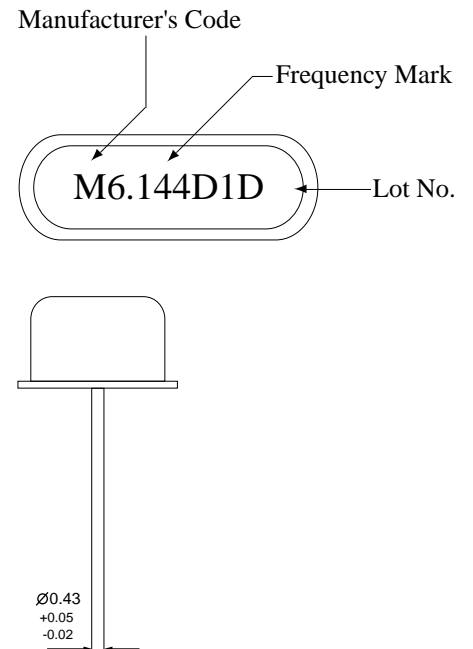
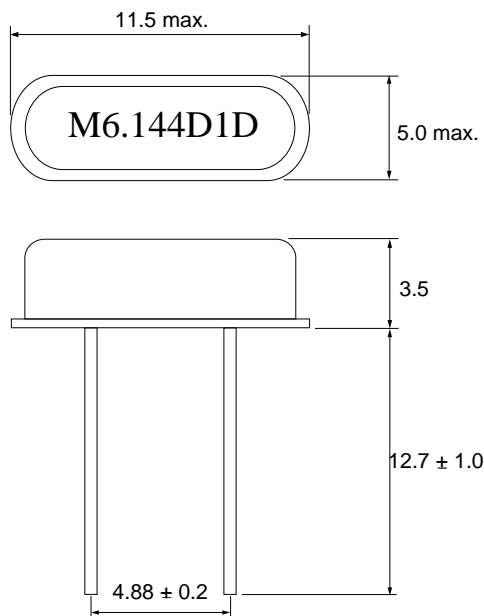


# MIEC

## SPECIFICATION OF CRYSTAL UNIT

1. Nominal Frequency	6.144 MHz
2. Holder Type	HC-49S
3. Frequency Tolerance	$\pm 30$ ppm @ 25°C
4. Equivalent Series Resistance	70 Ohm max.
5. Temperature Tolerance	$\pm 30$ ppm @ -20 °C +80 °C
6. Aging	$\pm 5$ ppm/ year
7. Loading Capacitance	20pF
8. Drive Level	100/ $\mu$ W max.
9. Mode of Oscillation	Fundamental

### DIMENSIONS (mm)



Prepared by: Leo Wong  
Checked By: \_\_\_\_\_  
DOC. No: HC49S-6\_144M20pF30ppmF

# MIEC

## SPECIFICATION OF CRYSTAL UNIT

No.	Item	Condition of Test
1	Shock Test	Dropping from 75cm height, 3 times on firm wood Variation: Frequency drift $< \pm 20\text{ppm}$ Resistance drift $< + 10 \text{ Ohm}$
2	Vibration Test	30 minutes in each direction 10 to 55 Hz, amplitude 0.7 ~ 0.9mm Variation: Frequency drift $< \pm 20\text{ppm}$
3	Solderability	The dipping surface of the lead shall be at least 95% Covered with a Continuous new solder coating. Condition of test: Temperature of solder bath: $230^{\circ}\text{C} \pm 5^{\circ}\text{C}$ Dipping time: 5 sec.
4	Leakage	No bubbles coming up from interior of the holder. Insulation resistance: More than 500M Ohm Condition of test: Temperature of hot water: $90^{\circ}\text{C} \sim 95^{\circ}\text{C}$ Test time: 3 min.

### REVIEW OF SPECIFICATIONS

When something get doubtful with this specifications, we shall jointly work to get an agreement.



Prepared by: Leo Wong  
Checked By: \_\_\_\_\_  
DOC. No: HC49S