

# **MOBICON**

## **Electronic Components**

### **PRODUCT SPECIFICATION**

### **MEC QUARTZ CRYSTAL**

### **FREQUENCY COMPONENTS**

**DT38 Series QUARTZ CRYSTAL SPECIFICATION**

<b>MOBICON HOLDINGS LTD.</b>		
<b>Prepared By</b>	<b>Sign.</b>	<b>Approved By</b>
Leo Wong		C.H. Wong

**[www.mobicon.com](http://www.mobicon.com)**

# MIEC

## SPECIFICATION OF CRYSTAL UNIT

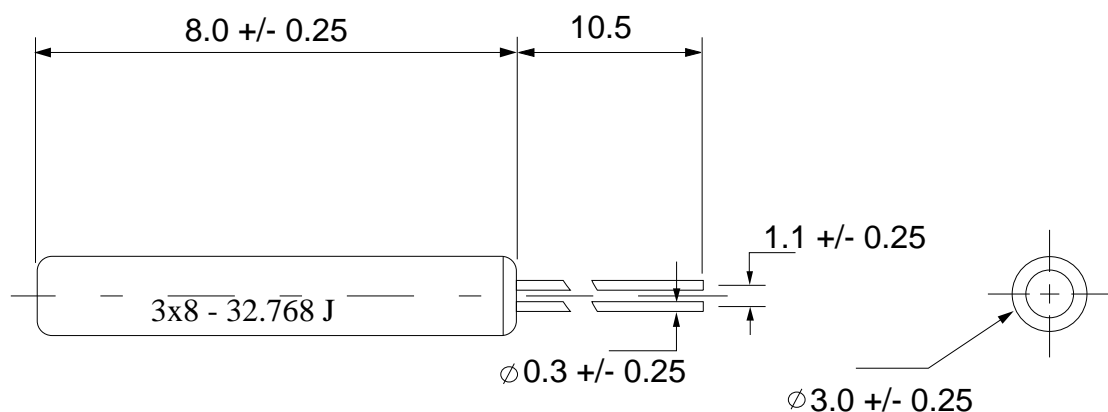
**PART NO. :**

**DT38-32.768k12.520F (H)**

### ELECTRICAL CHARACTERISTICS

1. Nominal Frequency	32.768 kHz
2. Holder Type	DT 38
3. Frequency Tolerance	$\pm 20$ ppm
4. Equivalent Resistance	50k Ohm max.
5. Insulation Resistance	500M Ohm @100V <sub>DC</sub>
6. Temperature Tolerance	+/- 50 ppm at -10 ~ +60°C
7. Operating Temperature Range	-10 ~ +60°C
8. Storage Temperature Range	-10 ~ +70°C
9. Loading Capacitance	12.5 pF
10. Drive Level	1 uW max.
11. Aging	$\pm 5$ ppm/ year max.
12. Oscillation Mode	Fundamental

### DIMENSIONS (mm)



Prepared By: Leo Wong

DOC. No: DT38-32.768kHz12.5pF20ppmF(H)