

MOBICON

Electronic Components

PRODUCT SPECIFICATION

MEC QUARTZ CRYSTAL

FREQUENCY COMPONENTS

DT38 Series QUARTZ CRYSTAL SPECIFICATION

| MOBICON HOLDINGS LTD. | | |
|------------------------------|--------------|--------------------|
| Prepared By | Sign. | Approved By |
| Leo Wong | | C.H. Wong |

www.mobicon.com

MIEC

SPECIFICATION OF CRYSTAL UNIT

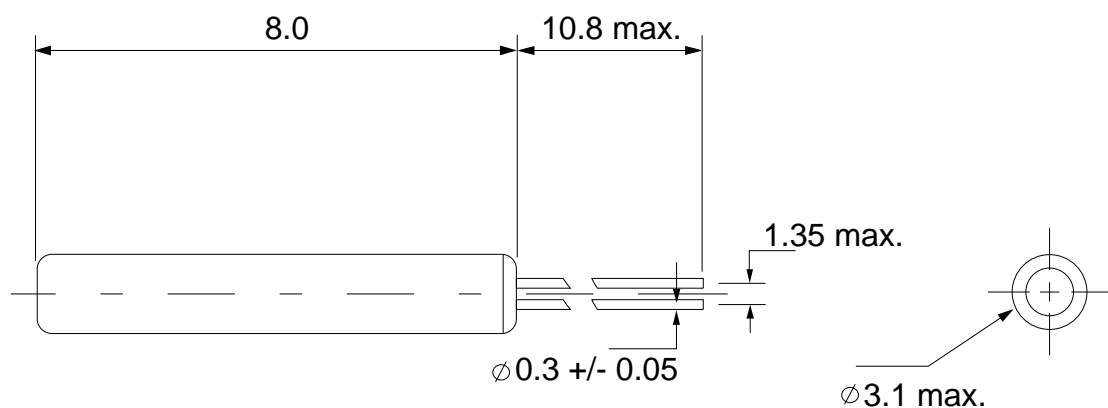
PART NO. :

DT38-32.768K12.5200F

ELECTRICAL CHARACTERISTICS

| | |
|--------------------------------|------------------------------|
| 1. Nominal Frequency | 32.768 kHz |
| 2. Holder Type | DT 38 |
| 3. Frequency Tolerance | ± 200 ppm |
| 4. Equivalent Resistance | 40k Ohm max. |
| 5. Insulation Resistance | 500M Ohm @100V _{DC} |
| 6. Temperature Tolerance | +/- 50 ppm at -10 ~ +60°C |
| 7. Operating Temperature Range | -10 ~ +60°C |
| 8. Storage Temperature Range | -10 ~ +70°C |
| 9. Loading Capacitance | 12.5 pF |
| 10. Drive Level | 100uW max. |
| 11. Aging | ± 5 ppm/ year max. |
| 12. Oscillation Mode | Fundamental |

DIMENSIONS (mm)



Prepared By: Leo Wong

DOC. No: DT38-32.768kHz12.5pF200ppmF