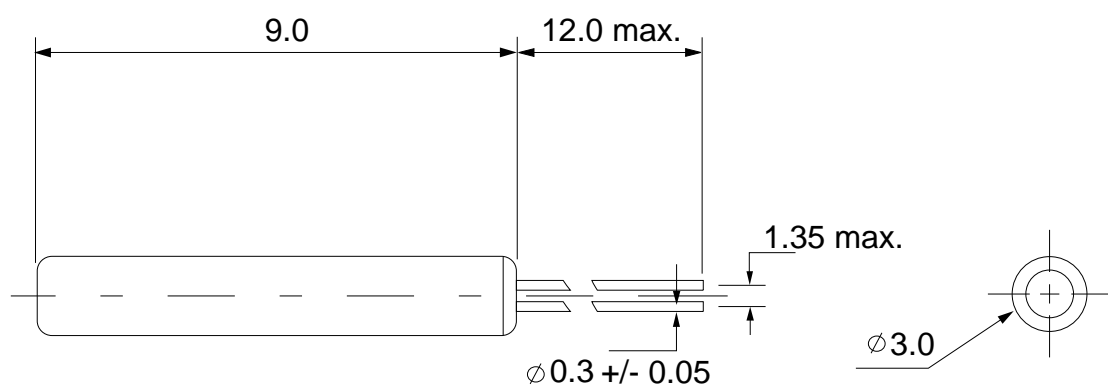


MIEC

SPECIFICATION OF CRYSTAL UNIT

1. Nominal Frequency	27.145 MHz
2. Holder Type	AT39
3. Frequency Tolerance	± 30 ppm
4. Equivalent Resistance	20 Ohm max.
5. Insulation Resistance	500M Ohm @100V _{DC}
6. Temperature Tolerance	± 50 ppm at -10° ~ $+60^{\circ}$ C
7. Operating Temperature Range	$-10 \sim +60^{\circ}$
8. Storage Temperature Range	$-10 \sim +70^{\circ}$ C
9. Loading Capacitance	20pF C
10. Drive Level	100uW max.
11. Aging	± 5 ppm/ year max.
12. Oscillation Mode	Third Overtone

DIMENSIONS (mm)



Prepared by: Leo Wong
DOC. No: AT39-27_145M20pF30ppmT