

# **MOBICON**

## **Electronic Components**

### **PRODUCT SPECIFICATION**

#### **MEC BUZZER**

#### **Electro-Magnetic Components**

#### **PIEZOELECTRIC BUZZER SPECIFICATION**

<b>MOBICON HOLDINGS LTD.</b>		
<b>Prepared By</b>	<b>Sign.</b>	<b>Approved By</b>
Leo Wong		C.H. Wong

**[www.mobicon.com](http://www.mobicon.com)**

# MEC

PART NO. :

MTW1606A

## Specification for Electro-Magnetic Buzzer

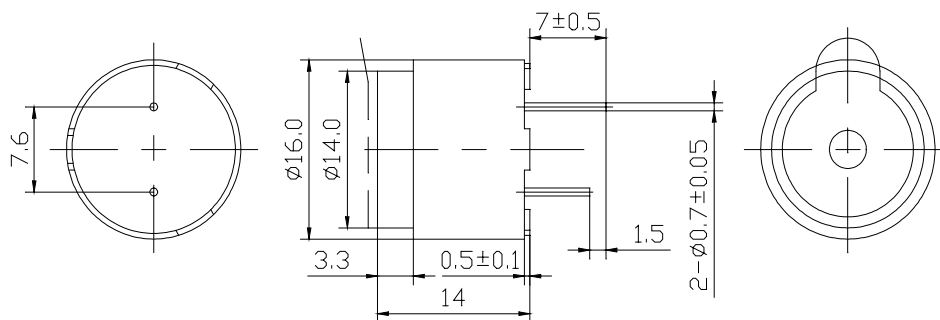
### Technical terms

Type	MTW1601A	MTW1606A	MTW1612A
Rated Voltage (V)	1.5	6	12
Operating Voltage (V)	1~2	4~8	9~15
*Rated Current (mA)	Max.12	Max.40	
Coil Resistance ( )	27±3	50±5	115±12
Coil Impedance ( )	80	110	200
*Sound Output at 10cm (dB)	Min.80	Min.85	
Rated Frequency (Hz)	2048		
Operating Temperature ( )	-25~+70		
Storage Temperature ( )	-30~+85		
Weight (g)	7		

\* Value applying rated voltage (2048Hz, 1/2duty, square wave)

Value applying (Resonant frequency, sine wave, measuring current 60  $\mu$  A)

## DIMENSIONS Unit : mm



# MEC

## REVIEW OF SPECIFICATIONS

- 1) When something get doubtful with this specifications, we shall jointly work to get an agreement.
- 2) This specification limits the quality of the components as a single unit. Please insure the component is thoroughly evaluated in your application circuit.
- 3) Please do not use this component in any application that deviates from its intended use as noted within the specification. It may cause any mishaps.
- 4) Please return one of this specification after your signature of acceptance. In case of no return within 3 months from submission date. This specification should be treated as accepted.

### **When using our products, the following precautions should be taken.**

- (1) Safety designing of apparatus or a system allowing for failures of electronic components used in the system  

In general, failures will occur in electronic components at a certain probability. MOBICON HOLDINGS LTD makes every effort to improve the quality and reliability of electronic component products. However, it is impossible to completely eliminate the probability of failures. Therefore, when using MOBICON HOLDINGS LTD electronic component products, systems should be carefully designed to ensure redundancy in the event of an accident which would result in injury or death, fire, or social damage, to ensure the prevention of the spread of fire, and the prevention of faulty operation.
- (2) Quality Level of various kinds of parts, and equipment in which the parts can be utilized  

Electronic components have a standard quality level unless otherwise specified.
- (3) This specifications is subject to change without notice.  

The contents of this specifications are based on data which is correct as of 2002, and they may be changed without notice. If our products are used for mass-production design, please enquire consult with a member of our company's sales staff by way of precaution.
- (4) Reprinting and copying of this specifications without prior written permission from MOBICON HOLDINGS LTD are not permitted.
- (5) Industrial Property Problems  

In the event any problems associated with industrial property of a third party arising as a result of the use of our products. MOBICON HOLDINGS LTD assumes no responsibility for problems other than problems directly associated with the constitution and manufacturing method of the products.



Prepared By: Leo Wong  
DOC. No: Review of Spec